

# Smoke-Proof Trap Door / Steel Door „RS-1“

in accordance with DIN 18095

optionally with glazing, optionally with upper casing



## Text example

Compile and tender according to requirements. Please refer to Technical Data below for respective details. Updated 01.07.2013

Position	No. of pieces	Item	Unit price €	Total price €
		Smoke-proof steel door RS-1, tested in accordance with DIN 18095. Single-leaf door element. Type of handling DIN right. Galvanized and prime coated door leaf similar to RAL 9002 (grey white), 62 mm thick, rebated on 3 sides, galvanized and prime coated corner frame similar to RAL 9002 (grey white), 1,5 mm thick, with 3-sided seal and lower bottom threshold for sliding threshold seal in the door leaf. Mortice lock with lever/knob, prepared for profile cylinder (with tumbler insert (Bb) and 1 Bb key). Black plastic handle set. Handle pivoted on bearing, can be used for profile cylinder and Bb key. Smoke-proof door must be equipped with a profile cylinder. 1 security bolts. 2 two-piece hinges Top door closer in accordance with DIN EN 1154 "Teckentrup" or equivalent.		



## Technical data

### Building authority approval:

Tested in accordance with DIN 18095

### Installation in:

- Walls made of:
- Masonry min. 115 mm
  - Concrete min. 100 mm
  - Autoclaved aerated concrete block \* min. 115 mm
  - Lightweight construction stud walls (F 30) min. 100 mm

\* Autoclaved aerated concrete block or high precision units in acc. with DIN 4165. Strength class 4. Wall thickness 115 mm or made of reinforced autoclaved aerated concrete slabs strength class 4. Wall thickness min. 115 mm

### Approved dimensions:

Width: 625 - 1350 mm  
Height: 1750 - 2500 mm

### With upper casing:

up to 3500 mm

### Type of handling:

DIN right or DIN left

### Door leaf:

Double-skinned, thin rebated on 3 sides (upper casing rebated on 4 sides)  
Door leaf thickness: 62 mm  
Sheet thickness: 1,0 mm  
Security bolts: 1  
Insulation: Mineral fibre boards

### Frame:

Corner frame, 1,5 mm thick with 3-sided seal and lower bottom threshold for sliding threshold seal in the door leaf. 3 wall anchor plugs on each side  
Special equipment:  
Block frame and counter or closed frame (always counter frame for autoclaved aerated concrete walls)

### Surface:

Galvanized and prime coated door leaf/frame similar to RAL 9002 (grey white)

### Hinges and closing devices:

- 1 spring hinge and 1 KO-hinge with ball bearings or
- 2 KO with ball bearings and 1 top door closer

### Fittings:

- Mortice lock with lever/knob, prepared for profile cylinder with tumbler insert (Bb) and 1 Bb key
- Black plastic handle set. Handle pivoted on bearing, can be used for profile cylinder and Bb key. (Smoke-proof doors must be equipped with a **profile cylinder**)

### Glazing:

Rectangular glazing (aluminium glass-holding strips), wire glass 6 – 8 mm thick, or round glazing with steel glass-holding strips.  
Max. pane dimensions 900 x 1800 mm.

### Special equipment:

- Laminated safety glass 6 or 8 mm
- Wire plate glass 6 - 7 mm
- Steel cord laminated safety glass 6 mm
- Single-pane safety glass 6 or 8 mm
- Pyran glass 6.5 mm

### Special equipment:

- Handle sets / Lever/Knob sets:
  - Plastic
  - Stainless steel
  - With short plate or rose escutcheon (various makes)
- Prepared for rose escutcheon
- Locks:
  - Profile cylinder 40.5 + 40.5 mm
  - Panic locks
  - Block lock (must be provided)
- Panic bar handle
- Top door closer DIN EN 1154
  - head assembly
  - with slide rail
  - with locking device
  - with smoke detector
  - integrated door closer ITS 96
- Electric door opener
- Integrated lock inspector (bolt contact)
- Integrated opening indicator (Reed contact)
- Revolving door drives
- Hold-open devices
- Retractable bottom seal

### Standard sizes Trap Door :

Ordering dimensions/ Modular dimensions width x height	Clear opening Dimensions (Corner frame) width x height
750 x 875	666 x 791
875 x 875	791 x 791
1000	916
1250	1166
1000 x 1000	916 x 916
1250	1166
1250 x 1250	1166 x 1166
750 x 2000	666 x 1961
875 x 1875	791 x 1836
2000	1961
2125	2086
1000 x 2000	916 x 1961
2125	2086
1125 x 2000	1041 x 1961
2125	2086
1250 x 2000	1166 x 1961
2125	2086
2250	2211

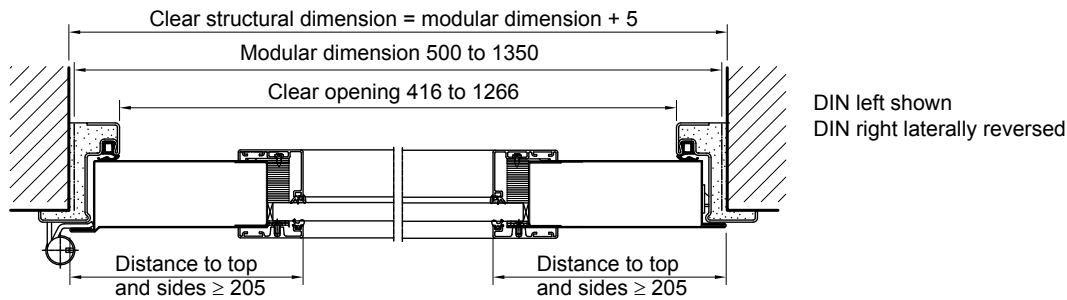
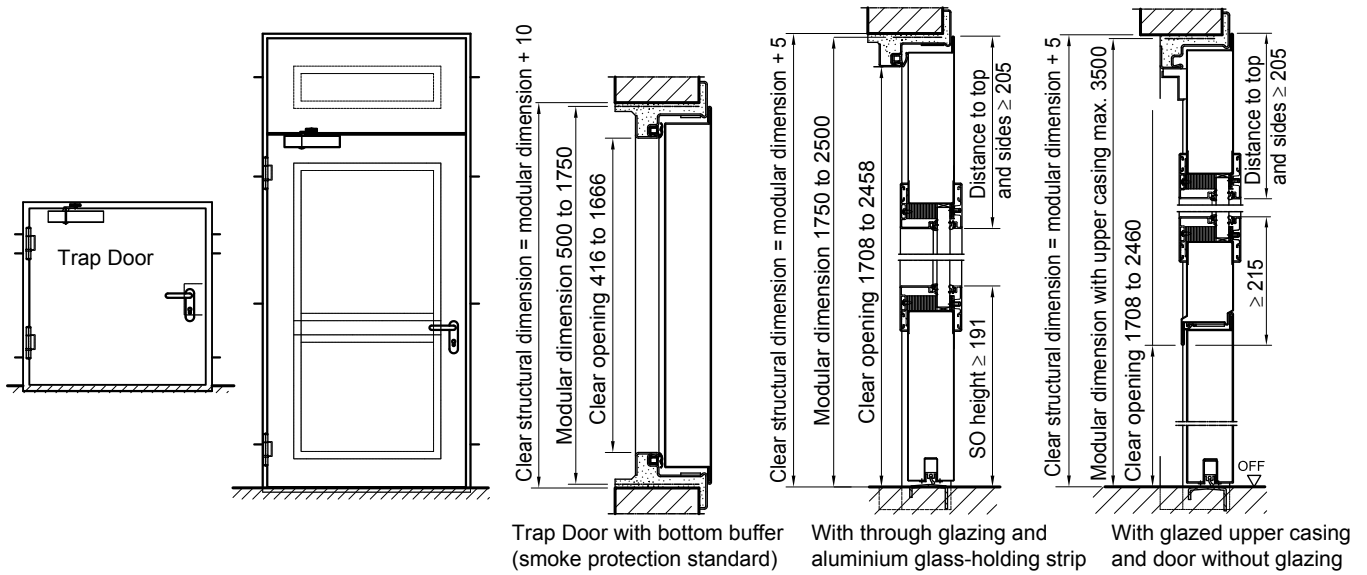
### Standard sizes Steel Door :

(Special sizes:  
From 500 x 1750 mm to 1350 x 2500 mm)

# Smoke-Proof Trap Door / Steel Door „RS-1“

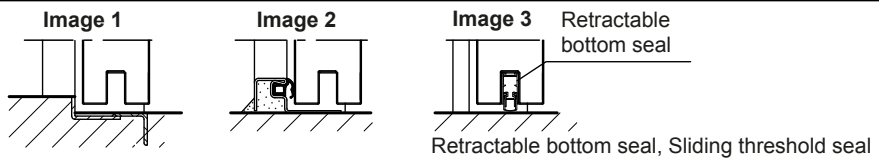
in accordance with DIN 18095

optionally with glazing, optionally with upper casing

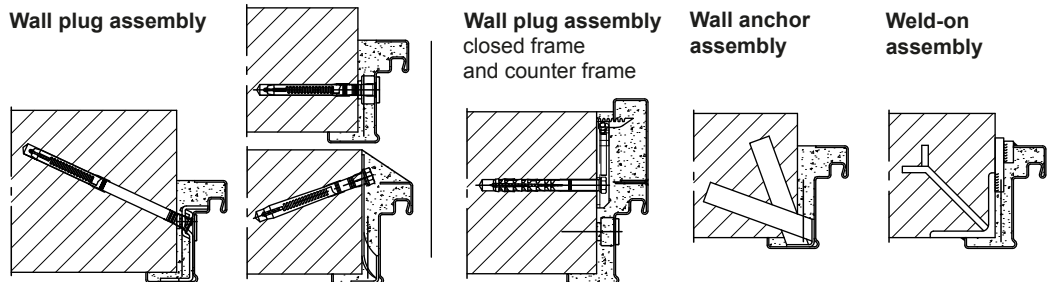


### Floor connections:

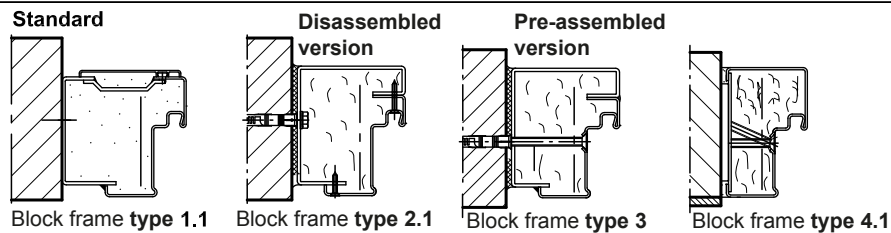
Image 1: With bottom buffer  
Image 2: With bottom buffer/seal  
Image 3: With bottom seal (smoke-proof door with top door closer)



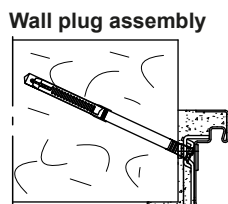
**Installation in masonry/ concrete walls**  
concrete walls  $\geq 100$  mm  
masonry walls  $\geq 115$  mm



**Installation with block frame**  
Flush installation between concrete walls  $\geq 100$  mm  
masonry walls  $\geq 115$  mm



**Installation in autoclaved aerated concrete walls** (doors with top door closer).  
Made of autoclaved aerated concrete blocks or high precision units in acc. with DIN 4165 strength class 4 min. 115 mm or made of reinforced autoclaved aerated concrete slabs strength class 4. Wall thickness min. 115 mm



**Installation in lightweight construction stud walls** (doors with top door closer)  
Installation walls F30 in acc. with DIN 4102 Part 4 or in acc. with general building authority test certificate, wall thickness min. 100 mm. For permissible walls refer to the installation details tab

